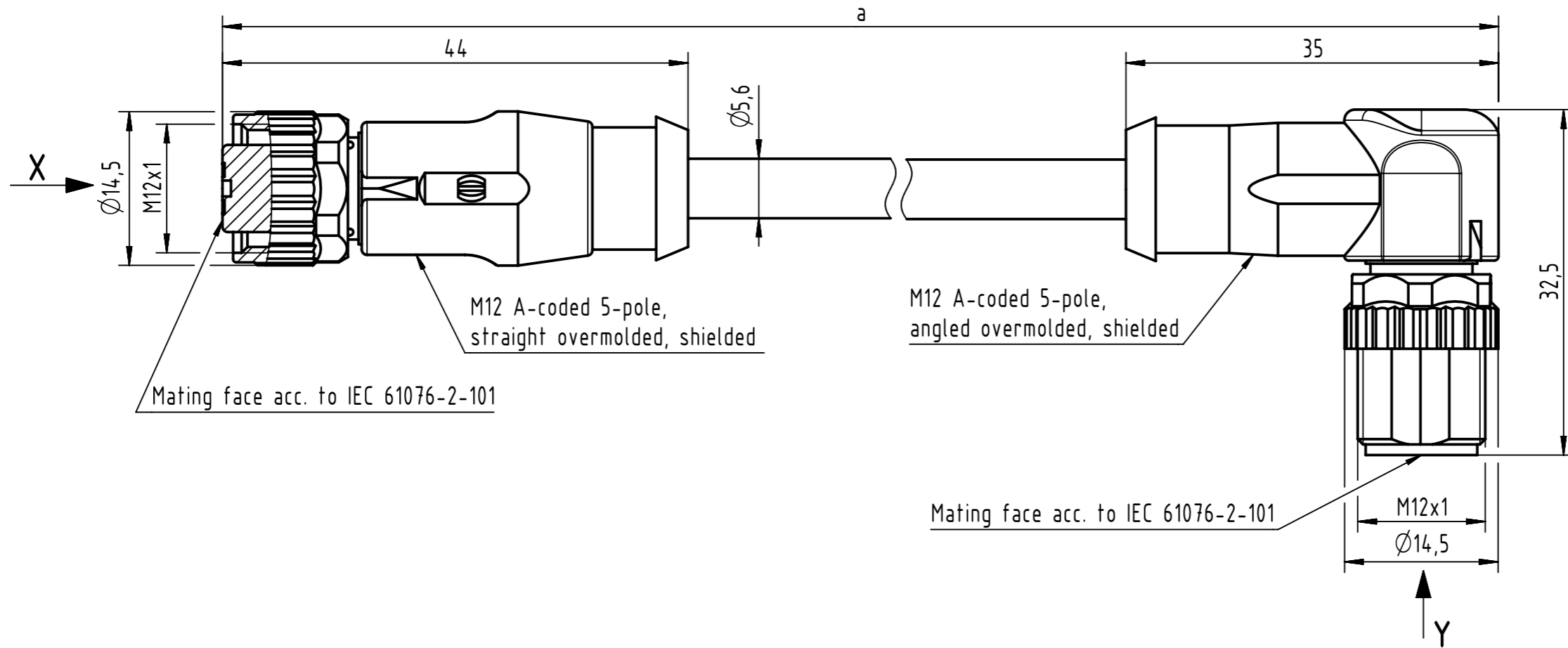


Connector Location A

Connector Location B



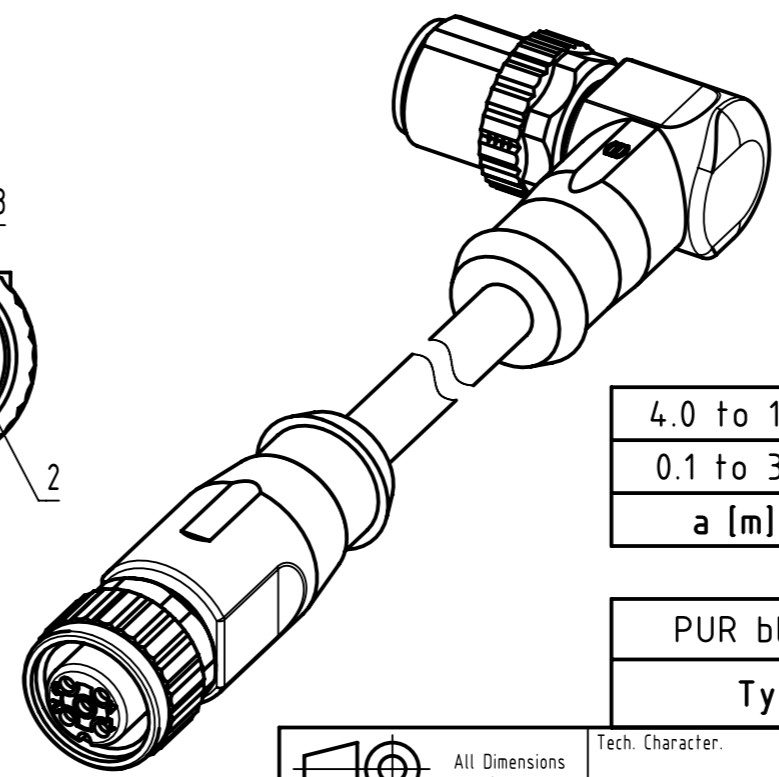
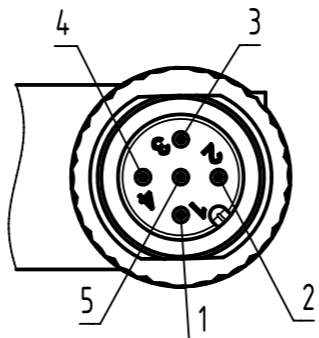
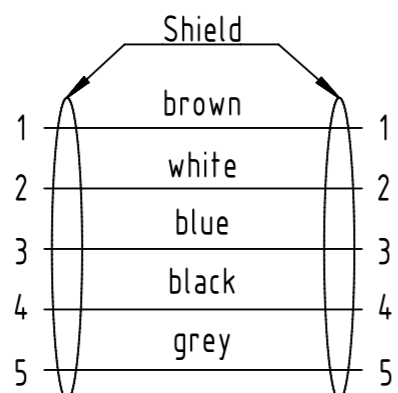
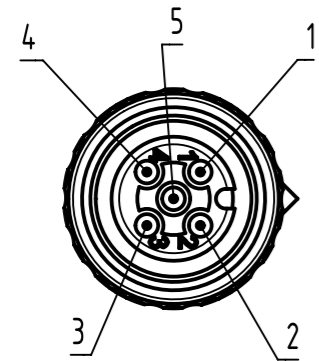
X

Y

X female

Y male

Loading Plan



length in "1m" step	100	XXX=000
	99	XXX=990
	.	.
	12	XXX=120
	11	XXX=110
length in "0.1m" step	10	XXX=100
	9.9	XXX=099
	9.8	XXX=098
	.	.
	0.4	XXX=004
	0.3	XXX=003
	0.2	XXX=002
	0.1	XXX=001
Step	a [m]	XXX

4.0 to 100	±1%
0.1 to 3.9	+0.04
a [m]	Tolerance

PUR black, 5x0.34mm ²	213475D2568XXX
Type of cable	Part no.

- Protection level: IP67
 - Temperature range: -25°C ... +80°C

All rights reserved Department HCS - RO HARTING Customised Solutions D-32339 Espelkamp	All Dimensions in mm Tech. Character. Free size tol. According to production drawing	Created by 405181 Hadar Inspected by COSTEA Costea Standardisation MUNTEANV Muntean Date 2021-04-15 State Final Release	Doc-Key / ECM-Nr. 100943506/UGD/000/A 500000193315 Rev. A Page 1/1
	Title M12 A cod 5p st/an f/m PUR Type TB Number 213475D2568XXX		